

*Shri Shivaji Education Society Amravati's*  
Science College, Congress Nagar, Nagpur

**Department of Electronics**

Class: B. Sc. (Semester-I) Subject: Electronics (Paper- I)

**Session: - 2023 - 2024**

**Unit Test - I**

Name of the Teacher: Mrs. Pragati A. Bire

Date: 04/09/2023

Batch: M3 (PEM)

<b>Sr. No.</b>	<b>Full Name of Student</b>	<b>Unit Test Marks (Out of 20)</b>
1	BHAGAT KHUSHI DINESH	AA
2	BILKAR KAUSHAL SITARAM	18
3	JAKKANWAR JANHAVI PRAFUL	16
4	KHOBRAGADE SHRUTI YOGESH	AA
5	MISHRA SHIVANI NAGENDRA	16
6	SHARMA ANUGRAH ANIL	AA
7	SURVE AADARSH SIDDHARTH	12
8	UIKEY GAURAV ASHOKRAO	06
9	WANJARI ADITI RAJMILIND	AA
10	CHAVHAN AKSHAD SHASHIKANT	AA
11	SONEKAR ADITYA SUBHASH	08

Batch: M10 (ECsM)

<b>Sr. No.</b>	<b>Full Name of Student</b>	<b>Unit Test Marks (Out of 20)</b>
1	AHIRWAR AJAY BHAGWANDAS	17
2	ANKAR SANKET BHASKAR	AA
3	BARSAKAGADE BHAGYASHRI PRASHANT	18
4	CHOUDHARI TULSI KEWALRAM	19
5	DAMAHE HIMANSHU GHANSHYAM	15
6	DANDALE SURAJ GAJANANRAO	03
7	FRANSWAH OSCAR ALYOSIS	AA
8	GHODMARE BHAVESH KRISHNAJI	AA
9	GUHE KASTURI ASHISH	16
10	HUMANE TRUPTI SACHIN	12
11	KOHALE NANDINI VIJAY	10
12	KURHE RUDRA ATUL	AA
13	MATHANIKAR MOHINI DEORAO	12
14	MISHRA ANJALI CHANDRAMANI	14
15	NAGPURKAR AKSHATA KISAN	16
16	NAIK NIKHIL SUNIL	AA
17	PADOLE LAVANYA DATTU	12
18	QAZI HUZAIFUDDIN SOHEBUDDIN	04
19	RANE HIMANSHU ARUN	11
20	SAHU PORNIMA JAYLAL	11

21	SAKHARKAR OM VITTHAL	16
22	SANTOSHWAR YASH SUDHIR	14
23	SHIVANKAR DEVYANI SATISH	AA
24	TIWARI ANCHAL RAMSUSHIL	AA
25	TIWARI PRIYANSHU BALANDAR	AA
26	VIRDI HARSHNEET KAUR JASPAL SINGH VIRDI	12
27	KAWRE RUTVIK PRABHAKAR	08
28	GAJBHIYE SAMYAK VINOD	02
29	BAGDE KAZANLI PRADIP	AA
30	KAKDE GAURAV DEVMAN	AA
31	NIMJE HRUSHANG RAVINDRA	AA
32	BHELWA DISHA INDAL	AA



**Dr. J. K. Keche**  
Signature of Coordinator  
**Coordinator**  
Department of Electronics  
SSEA's Science College,  
Congress Nagar, Nagpur-12

**Bachelor of Science (B.Sc.) Semester-I Examination**  
**Session 2023-24**  
**Electronics (Paper-I Topic: Unit-I)**  
**Unit Test -I**

**Time: One Hour]**

**[Maximum Marks: 20**

**Date:04-09-2023**

**Note:**

- (1) All questions are compulsory and carry equal marks.
  - (2) Draw neat and labelled diagram wherever necessary.
- 

**Attempt any four. (20 Marks)**

- 1) Explain Relays and types of relays.
- 2) Explain ideal voltage and current sources. Draw their symbol and I-V characteristics.
- 3) What is transformer? Explain construction and working of transformer. What is inductors?
- 4) What is resistor? What are the factors affecting resistance of a resistor? What are the types of resistors? Find the value of resistance with colour code sequence: Yellow, Violet, Orange, and Gold.
- 5) What are the factors affecting inductance of an inductor? What are the types of inductors?

\*\*\*\*\*

*Shri Shivaji Education Society Amravati's*  
Science College, Congress Nagar, Nagpur

**Department of Electronics**

Class: B. Sc. (Semester-I) Subject: Electronics (Paper- I)  
Session: - 2023 - 2024

**Unit Test - II**

Name of the Teacher: Mrs. Pragati A. Bire

Date: 30/09/2023

Batch: M3 (PEM)

<b>Sr. No.</b>	<b>Full Name of Student</b>	<b>Unit Test Marks (Out of 20)</b>
1	BHAGAT KHUSHI DINESH	AA
2	BILKAR KAUSHAL SITARAM	17
3	JAKKANWAR JANHAVI PRAFUL	12
4	KHOBRADE SHRUTI YOGESH	AA
5	MISHRA SHIVANI NAGENDRA	15
6	SHARMA ANUGRAH ANIL	AA
7	SURVE AADARSH SIDDHARTH	AA
8	UIKEY GAURAV ASHOKRAO	14
9	WANJARI ADITI RAJMILIND	AA
10	CHAVHAN AKSHAD SHASHIKANT	AA
11	SONEKAR ADITYA SUBHASH	AA

Batch: M10 (ECsM)

<b>Sr. No.</b>	<b>Full Name of Student</b>	<b>Unit Test Marks (Out of 20)</b>
1	AHIRWAR AJAY BHAGWANDAS	15
2	ANKAR SANKET BHASKAR	AA
3	BARSAGADE BHAGYASHRI PRASHANT	16
4	CHOUDHARI TULSI KEWALRAM	18
5	DAMAHE HIMANSHU GHANSHYAM	13
6	DANDALE SURAJ GAJANANRAO	AA
7	FRANSWAH OSCAR ALYOSIS	AA
8	GHODMARE BHAVESH KRISHNAJI	AA
9	GUHE KASTURI ASHISH	18
10	HUMANE TRUPTI SACHIN	AA
11	KOHALE NANDINI VIJAY	15
12	KURHE RUDRA ATUL	AA
13	MATHANIKAR MOHINI DEORAO	AA
14	MISHRA ANJALI CHANDRAMANI	18
15	NAGPURKAR AKSHATA KISAN	18
16	NAIK NIKHIL SUNIL	AA
17	PADOLE LAVANYA DATTU	15
18	QAZI HUZAIFUDDIN SOHEBUDDIN	AA
19	RANE HIMANSHU ARUN	16
20	SAHU PORNIMA JAYLAL	14
21	SAKHARKAR OM VITTHAL	18

22	SANTOSHWAR YASH SUDHIR	14
23	SHIVANKAR DEVYANI SATISH	15
24	TIWARI ANCHAL RAMSUSHIL	AA
25	TIWARI PRIYANSHU BALANDAR	08
26	VIRDI HARSHNEET KAUR JASPAL SINGH VIRDI	19
27	KAWRE RUTVIK PRABHAKAR	10
28	GAJBHIYE SAMYAK VINOD	02
29	BAGDE KAZANLI PRADIP	AA
30	KAKDE GAURAV DEVMAN	01
31	NIMJE HRUSHANG RAVINDRA	AA
32	BHELWA DISHA INDAL	AA



**Dr. J. K. Keche**  
Signature of Coordinator  
**Coordinator**  
Department of Electronics  
SSEA's Science College,  
Congress Nagar, Nagpur-12

**Bachelor of Science (B.Sc.) Semester - I Examination**  
**Session 2023-24**  
**Electronics (Paper-I Topic: Unit-II & III)**  
**Unit Test -II**

**Time: One Hour]**

**[Maximum Marks: 20**

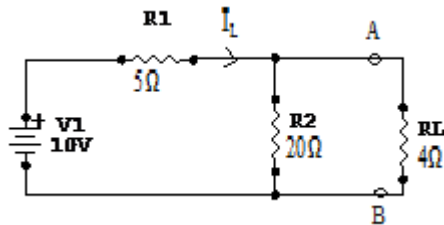
**Date:30-09-2023**

**Note:**

- (1) All questions are compulsory and carry equal marks.
  - (2) Draw neat and labelled diagram wherever necessary.
- 

**Attempt any four. (20 Marks)**

- 1) Draw and explain R-L-C series. Also draw series resonance curve.
- 2) State and explain Maximum Power Transfer theorem.
- 3) Find current through the load and voltage across the load by Norton's theorem in the given circuit.



- 4) State and explain KVL and KCL.
- 5) What is the difference between R.M.S. and the average values of a sinusoidal voltage?

\*\*\*\*\*

*Shri Shivaji Education Society Amravati's*  
Science College, Congress Nagar, Nagpur

**Department of Electronics**

Class: B. Sc. (Semester-I) Subject: Electronics (Paper- II)

Session: - 2023-24

**Unit Test - I**

Name of the Teacher: Mrs. Raksha R. Pali

Date: 02/09/2023

Batch: M3 (PEM)

<b>Sr. No.</b>	<b>Full Name of Student</b>	<b>Unit Test Marks (Out of 20)</b>
1	BHAGAT KHUSHI DINESH	07
2	BILKAR KAUSHAL SITARAM	14
3	JAKKANWAR JANHAVI PRAFUL	11
4	KHOBRADE SHRUTI YOGESH	15
5	MISHRA SHIVANI NAGENDRA	AA
6	SHARMA ANUGRAH ANIL	12
7	SURVE AADARSH SIDDHARTH	AA
8	UIKEY GAURAV ASHOKRAO	10
9	WANJARI ADITI RAJMILIND	AA
10	CHAVHAN AKSHAD SHASHIKANT	AA
11	SONEKAR ADITYA SUBHASH	AA

Batch: M10 (ECsM)

<b>Sr. No.</b>	<b>Full Name of Student</b>	<b>Unit Test Marks (Out of 20)</b>
1	AHIRWAR AJAY BHAGWANDAS	13
2	ANKAR SANKET BHASKAR	AA
3	BARSAGADE BHAGYASHRI PRASHANT	18
4	CHOUDHARI TULSI KEWALRAM	AA
5	DAMAHE HIMANSHU GHANSHYAM	15
6	DANDALE SURAJ GAJANANRAO	02
7	FRANSWAH OSCAR ALYOSIS	02
8	GHODMARE BHAVESH KRISHNAJI	AA
9	GUHE KASTURI ASHISH	18
10	HUMANE TRUPTI SACHIN	AA
11	KOHALE NANDINI VIJAY	15
12	KURHE RUDRA ATUL	16
13	MATHANIKAR MOHINI DEORAO	14
14	MISHRA ANJALI CHANDRAMANI	20
15	NAGPURKAR AKSHATA KISAN	19
16	NAIK NIKHIL SUNIL	AA
17	PADOLE LAVANYA DATTU	AA
18	QAZI HUZAIFUDDIN SOHEBUDDIN	AA
19	RANE HIMANSHU ARUN	16
20	SAHU PORNIMA JAYLAL	12
21	SAKHARKAR OM VITTHAL	18
22	SANTOSHWAR YASH SUDHIR	18
23	SHIVANKAR DEVYANI SATISH	AA

24	TIWARI ANCHAL RAMSUSHIL	AA
25	TIWARI PRIYANSHU BALANDAR	AA
26	VIRDI HARSHNEET KAUR JASPAL SINGH VIRDI	20
27	KAWRE RUTVIK PRABHAKAR	07
28	GAJBHIYE SAMYAK VINOD	AA
29	BAGDE KAZANLI PRADIP	AA
30	KAKDE GAURAV DEVMAN	AA
31	NIMJE HRUSHANG RAVINDRA	AA
32	BHELWA DISHA INDAL	AA



**Dr. J. K. Keche**  
Signature of Coordinator  
**Coordinator**  
Department of Electronics  
SSEA's Science College,  
Congress Nagar, Nagpur-12



**Bachelor of Science (B.Sc.) Semester—I Examination**

**Session 2023-24**

**Electronics (Paper-II Topic: Unit-I)**

**Unit Test -I**

**Time: One Hour]**

**[Maximum Marks: 20**

**Date:02-09-2023**

**Note:**

- (1) All questions are compulsory and carry equal marks.
  - (2) Draw neat and labelled diagram wherever necessary.
- 

**Attempt any four. (20 Marks)**

- 1) Explain the term (1) One's complement (2) Two's complement with suitable example.
- 2) Convert the following number.  
(1)  $(11010)_2 = (X)_{10}$       (2)  $(AB.C)_{16} = (X)_8$       (3)  $(32)_{10} = (X)_2$
- 3) Convert  $(22.61)_{10}$  into binary octal and hexadecimal number?
- 4) Explain binary coded decimal number system.
- 5) What is an Excess 3 code and explain the following number in XS-3 code:      (1) 7754

\*\*\*\*\*

*Shri Shivaji Education Society Amravati's*  
Science College, Congress Nagar, Nagpur

**Department of Electronics**

Class: B. Sc. (Semester-I) Subject: Electronics (Paper- II)  
Session: - 2023-24

**Unit Test - II**

Name of the Teacher: Mrs. Raksha R. Pali

Date: 29/09/2023


Batch: M3 (PEM)

<b>Sr. No.</b>	<b>Full Name of Student</b>	<b>Unit Test Marks (Out of 20)</b>
1	BHAGAT KHUSHI DINESH	AA
2	BILKAR KAUSHAL SITARAM	13
3	JAKKANWAR JANHAVI PRAFUL	AA
4	KHOBRAGADE SHRUTI YOGESH	10
5	MISHRA SHIVANI NAGENDRA	17
6	SHARMA ANUGRAH ANIL	AA
7	SURVE AADARSH SIDDHARTH	AA
8	UIKEY GAURAV ASHOKRAO	12
9	WANJARI ADITI RAJMILIND	AA
10	CHAVHAN AKSHAD SHASHIKANT	AA
11	SONEKAR ADITYA SUBHASH	04

Batch: M10 (ECsM)

<b>Sr. No.</b>	<b>Full Name of Student</b>	<b>Unit Test Marks (Out of 20)</b>
1	AHIRWAR AJAY BHAGWANDAS	AA
2	ANKAR SANKET BHASKAR	AA
3	BARSAGADE BHAGYASHRI PRASHANT	20
4	CHOUDHARI TULSI KEWALRAM	12
5	DAMAHE HIMANSHU GHANSHYAM	13
6	DANDALE SURAJ GAJANANRAO	AA
7	FRANSWAH OSCAR ALYOSIS	AA
8	GHODMARE BHAVESH KRISHNAJI	04
9	GUHE KASTURI ASHISH	17
10	HUMANE TRUPTI SACHIN	15
11	KOHALE NANDINI VIJAY	13
12	KURHE RUDRA ATUL	AA
13	MATHANIKAR MOHINI DEORAO	16
14	MISHRA ANJALI CHANDRAMANI	19
15	NAGPURKAR AKSHATA KISAN	19
16	NAIK NIKHIL SUNIL	AA
17	PADOLE LAVANYA DATTU	AA
18	QAZI HUZAIFUDDIN SOHEBUDDIN	01
19	RANE HIMANSHU ARUN	17

20	SAHU PORNIMA JAYLAL	13
21	SAKHARKAR OM VITTHAL	14
22	SANTOSHWAR YASH SUDHIR	16
23	SHIVANKAR DEVYANI SATISH	12
24	TIWARI ANCHAL RAMSUSHIL	AA
25	TIWARI PRIYANSHU BALANDAR	AA
26	VIRDI HARSHNEET KAUR JASPAL SINGH VIRDI	19
27	KAWRE RUTVIK PRABHAKAR	07
28	GAJBHIYE SAMYAK VINOD	AA
29	BAGDE KAZANLI PRADIP	AA
30	KAKDE GAURAV DEVMAN	AA
31	NIMJE HRUSHANG RAVINDRA	AA
32	BHELWA DISHA INDAL	AA

  
**Dr. J. K. Keche**  
Signature of Coordinator  
**Coordinator**  
Department of Electronics  
SSEA's Science College,  
Congress Nagar, Nagpur-12

**Bachelor of Science (B.Sc.) Semester—I Examination**  
**Session 2023-24**  
**Electronics (Paper-II Topic: Unit-II)**  
**Unit Test-II**

**Time: One Hour]**

**[Maximum Marks: 20**

**Date:29-09-2023**

**Note:**

- (1) All questions are compulsory and carry equal marks.
  - (2) Draw neat and labelled diagram wherever necessary.
- 

**Attempt any four. (20 Marks)**

- 1) Explain the working of Half adder and Full adder.
- 2) Explain NOR and EX-NOR gate with truth table, Boolean equation and symbol.
- 3) Explain all types of logic gates.
- 4) Explain De'morgans theorem.
- 5) Explain different types of Boolean law.

\*\*\*\*\*

*Shri Shivaji Education Society Amravati's*  
Science College, Congress Nagar, Nagpur

**Department of Electronics**

Class: B. Sc. (Semester-II) Subject: Electronics (Paper- I)  
Session: - 2023-24

**Unit Test - I**

Name of the Teacher: Mrs. Raksha R. Pali

Date: 11/12/2023

Batch: M3 (PEM)

<b>Sr. No.</b>	<b>Full Name of Student</b>	<b>Unit Test Marks (Out of 20)</b>
1	BHAGAT KHUSHI DINESH	AA
2	BILKAR KAUSHAL SITARAM	16
3	JAKKANWAR JANHAVI PRAFUL	AA
4	KHOBRAGADE SHRUTI YOGESH	12
5	MISHRA SHIVANI NAGENDRA	18
6	SHARMA ANUGRAH ANIL	AA
7	SURVE AADARSH SIDDHARTH	AA
8	UIKEY GAURAV ASHOKRAO	18
9	WANJARI ADITI RAJMILIND	AA
10	CHAVHAN AKSHAD SHASHIKANT	08
11	SONEKAR ADITYA SUBHASH	02

Batch: M10 (ECsM)

<b>Sr. No.</b>	<b>Full Name of Student</b>	<b>Unit Test Marks (Out of 20)</b>
1	AHIRWAR AJAY BHAGWANDAS	13
2	ANKAR SANKET BHASKAR	AA
3	BARSAGADE BHAGYASHRI PRASHANT	18
4	CHOUDHARI TULSI KEWALRAM	AA
5	DAMAHE HIMANSHU GHANSHYAM	16
6	DANDALE SURAJ GAJANANRAO	AA
7	FRANSWAH OSCAR ALYOSIS	01
8	GHODMARE BHAVESH KRISHNAJI	03
9	GUHE KASTURI ASHISH	18
10	HUMANE TRUPTI SACHIN	15
11	KOHALE NANDINI VIJAY	13
12	KURHE RUDRA ATUL	17
13	MATHANIKAR MOHINI DEORAO	12
14	MISHRA ANJALI CHANDRAMANI	20
15	NAGPURKAR AKSHATA KISAN	20
16	NAIK NIKHIL SUNIL	AA
17	PADOLE LAVANYA DATTU	20
18	QAZI HUZAIFUDDIN SOHEBUDDIN	AA
19	RANE HIMANSHU ARUN	17
20	SAHU PORNIMA JAYLAL	12
21	SAKHARKAR OM VITTHAL	15
22	SANTOSHWAR YASH SUDHIR	18
23	SHIVANKAR DEVYANI SATISH	14

24	TIWARI ANCHAL RAMSUSHIL	10
25	TIWARI PRIYANSHU BALANDAR	04
26	VIRDI HARSHNEET KAUR JASPAL SINGH VIRDI	20
27	KAWRE RUTVIK PRABHAKAR	04
28	GAJBHIYE SAMYAK VINOD	06
29	BAGDE KAZANLI PRADIP	AA
30	KAKDE GAURAV DEVMAN	AA
31	NIMJE HRUSHANG RAVINDRA	02
32	BHELWA DISHA INDAL	AA



**Dr. J. K. Keche**  
Signature of Coordinator  
**Coordinator**  
Department of Electronics  
SSEA's Science College,  
Congress Nagar, Nagpur-12

**Bachelor of Science (B.Sc.) Semester-II Examination**  
**Session 2023-24**  
**Electronics (Paper-I)**  
**Unit Test-I**

**Time: One Hour]**

**[Maximum Marks: 20**

**Date:11-12-2023**

**Note:**

- (1) All questions are compulsory and carry equal marks.
- (2) Draw neat sketches wherever necessary.

**Attempt any two. (20 Marks)**

- 1) What is Zener diode? Explain its use as a voltage regulator. Differentiate avalanche effect and zener effect. How are they useful?
- 2) What is PN junction? Explain the formation of depletion region and potential barrier. Discuss the working of PN junction in forward and reverse bias modes with its characteristics.
- 3) Explain the construction and working of LED. Which materials are used for its construction? What are the applications of LED? Give the construction of a seven segment display.

\*\*\*\*\*

*Shri Shivaji Education Society Amravati's*  
Science College, Congress Nagar, Nagpur

**Department of Electronics**

Class: B. Sc. (Semester-II) Subject: Electronics (Paper- I)

Session: - 2023 – 2024

**Unit Test – II**

Name of the Teacher: Mrs. Raksha R. Pali

Date: 05/02/2024

Batch: M3 (PEM)

<b>Sr. No.</b>	<b>Full Name of Student</b>	<b>Unit Test Marks (Out of 20)</b>
1	BHAGAT KHUSHI DINESH	AA
2	BILKAR KAUSHAL SITARAM	17
3	JAKKANWAR JANHAVI PRAFUL	14
4	KHOBRADE SHRUTI YOGESH	AA
5	MISHRA SHIVANI NAGENDRA	15
6	SHARMA ANUGRAH ANIL	AA
7	SURVE AADARSH SIDDHARTH	AA
8	UIKEY GAURAV ASHOKRAO	03
9	WANJARI ADITI RAJMILIND	AA
10	CHAVHAN AKSHAD SHASHIKANT	AA
11	SONEKAR ADITYA SUBHASH	05

Batch: M10 (ECsM)

<b>Sr. No.</b>	<b>Full Name of Student</b>	<b>Unit Test Marks (Out of 20)</b>
1	AHIRWAR AJAY BHAGWANDAS	12
2	ANKAR SANKET BHASKAR	AA
3	BARSAGADE BHAGYASHRI PRASHANT	17
4	CHOUDHARI TULSI KEWALRAM	09
5	DAMAHE HIMANSHU GHANSHYAM	11
6	DANDALE SURAJ GAJANANRAO	AA
7	FRANSWAH OSCAR ALYOSIS	AA
8	GHODMARE BHAVESH KRISHNAJI	09
9	GUHE KASTURI ASHISH	15
10	HUMANE TRUPTI SACHIN	AA
11	KOHALE NANDINI VIJAY	14
12	KURHE RUDRA ATUL	13
13	MATHANIKAR MOHINI DEORAO	18
14	MISHRA ANJALI CHANDRAMANI	19
15	NAGPURKAR AKSHATA KISAN	19
16	NAIK NIKHIL SUNIL	AA
17	PADOLE LAVANYA DATTU	17
18	QAZI HUZAIFUDDIN SOHEBUDDIN	AA
19	RANE HIMANSHU ARUN	12
20	SAHU PORNIMA JAYLAL	10
21	SAKHARKAR OM VITTHAL	13
22	SANTOSHWAR YASH SUDHIR	14
23	SHIVANKAR DEVYANI SATISH	AA



24	TIWARI ANCHAL RAMSUSHIL	AA
25	TIWARI PRIYANSHU BALANDAR	AA
26	VIRDI HARSHNEET KAUR JASPAL SINGH VIRDI	19
27	KAWRE RUTVIK PRABHAKAR	10
28	GAJBHIYE SAMYAK VINOD	01
29	BAGDE KAZANLI PRADIP	AA
30	KAKDE GAURAV DEVMAN	AA
31	NIMJE HRUSHANG RAVINDRA	04
32	BHELWA DISHA INDAL	AA



**Dr. J. K. Keche**  
Signature of Coordinator  
**Coordinator**  
Department of Electronics  
SSEA's Science College,  
Congress Nagar, Nagpur-12

**Bachelor of Science (B.Sc.) Semester-II Examination**  
**Session 2023-24**  
**Electronics (Paper-I)**  
**Unit Test -II**

**Time: One Hour]**

**[Maximum Marks: 20**

**Date:05-02-2024**

**Note:**

- (1) All questions are compulsory and carry equal marks.
- (2) Draw neat sketches wherever necessary.

**Attempt any four. (20 Marks)**

- 1) Explain construction and working of UJT.
- 2) Describe the working and characteristics of SCR.
- 3) Explain the construction and working of JFET.
- 4) What is MOSFET? Explain its construction.
- 5) Differentiate between FET and BJT.

\*\*\*\*

*Shri Shivaji Education Society Amravati's*  
Science College, Congress Nagar, Nagpur

**Department of Electronics**

Class: B. Sc. (Semester-II) Subject: Electronics (Paper- II)

Session: - 2023-24

**Unit Test – I**

Name of the Teacher: Mrs. Sonali A. Sagdeo

Date: 08/01/2024

Batch: M3 (PEM)

<b>Sr. No.</b>	<b>Full Name of Student</b>	<b>Unit Test Marks (Out of 20)</b>
1	BHAGAT KHUSHI DINESH	AA
2	BILKAR KAUSHAL SITARAM	13
3	JAKKANWAR JANHAVI PRAFUL	AA
4	KHOBRADE SHRUTI YOGESH	10
5	MISHRA SHIVANI NAGENDRA	17
6	SHARMA ANUGRAH ANIL	AA
7	SURVE AADARSH SIDDHARTH	AA
8	UIKEY GAURAV ASHOKRAO	12
9	WANJARI ADITI RAJMILIND	AA
10	CHAVHAN AKSHAD SHASHIKANT	AA
11	SONEKAR ADITYA SUBHASH	04

Batch: M10 (ECsM)

<b>Sr. No.</b>	<b>Full Name of Student</b>	<b>Unit Test Marks (Out of 20)</b>
1	AHIRWAR AJAY BHAGWANDAS	AA
2	ANKAR SANKET BHASKAR	AA
3	BARSAGADE BHAGYASHRI PRASHANT	20
4	CHOUDHARI TULSI KEWALRAM	12
5	DAMAHE HIMANSHU GHANSHYAM	13
6	DANDALE SURAJ GAJANANRAO	AA
7	FRANSWAH OSCAR ALYOSIS	AA
8	GHODMARE BHAVESH KRISHNAJI	04
9	GUHE KASTURI ASHISH	17
10	HUMANE TRUPTI SACHIN	15
11	KOHALE NANDINI VIJAY	13
12	KURHE RUDRA ATUL	AA
13	MATHANIKAR MOHINI DEORAO	16
14	MISHRA ANJALI CHANDRAMANI	19
15	NAGPURKAR AKSHATA KISAN	19
16	NAIK NIKHIL SUNIL	AA
17	PADOLE LAVANYA DATTU	AA
18	QAZI HUZAIFUDDIN SOHEBUDDIN	01
19	RANE HIMANSHU ARUN	17
20	SAHU PORNIMA JAYLAL	13
21	SAKHARKAR OM VITTHAL	14
22	SANTOSHWAR YASH SUDHIR	16
23	SHIVANKAR DEVYANI SATISH	12
24	TIWARI ANCHAL RAMSUSHIL	AA

25	TIWARI PRIYANSHU BALANDAR	AA
26	VIRDI HARSHNEET KAUR JASPAL SINGH VIRDI	19
27	KAWRE RUTVIK PRABHAKAR	07
28	GAJBHIYE SAMYAK VINOD	AA
29	BAGDE KAZANLI PRADIP	AA
30	KAKDE GAURAV DEVMAN	AA
31	NIMJE HRUSHANG RAVINDRA	AA
32	BHELWA DISHA INDAL	AA



**Dr. J. K. Keche**  
Signature of Coordinator  
**Coordinator**

**Department of Electronics**  
**SSEA's Science College,**  
**Congress Nagar, Nagpur-12**

**Bachelor of Science (B.Sc.) Semester-II Examination**  
**Session 2023-24**  
**Electronics (Paper-II)**  
**Unit Test - I**

**Time: One Hour]**

**[Maximum Marks: 20**

**Date:08-01-2024**

**Note:**

- (1) All questions are compulsory and carry equal marks.
- (2) Draw neat sketches wherever necessary.

**Attempt any four. (20 Marks)**

- 1) What are drawbacks of RC coupled and DC coupled amplifier?
- 2) Draw block diagram of Op-amp and explain each block briefly.
- 3) Explain need of dual power supply for differential with diagram.
- 4) What are advantages of differential amplifier?
- 5) What is offset null?

\*\*\*\*

*Shri Shivaji Education Society Amravati's*  
Science College, Congress Nagar, Nagpur

**Department of Electronics**

Class: B. Sc. (Semester-II) Subject: Electronics (Paper- II)

Session: - 2023-24

**Unit Test - II**

Name of the Teacher: Mrs. Sonali A. Sagdeo

Date: 10/02/2024

Batch: M3 (PEM)

<b>Sr. No.</b>	<b>Full Name of Student</b>	<b>Unit Test Marks (Out of 20)</b>
1	BHAGAT KHUSHI DINESH	AA
2	BILKAR KAUSHAL SITARAM	13
3	JAKKANWAR JANHAVI PRAFUL	AA
4	KHOBRADE SHRUTI YOGESH	10
5	MISHRA SHIVANI NAGENDRA	17
6	SHARMA ANUGRAH ANIL	AA
7	SURVE AADARSH SIDDHARTH	AA
8	UIKEY GAURAV ASHOKRAO	12
9	WANJARI ADITI RAJMILIND	AA
10	CHAVHAN AKSHAD SHASHIKANT	AA
11	SONEKAR ADITYA SUBHASH	04

Batch: M10 (ECsM)

<b>Sr. No.</b>	<b>Full Name of Student</b>	<b>Unit Test Marks (Out of 20)</b>
1	AHIRWAR AJAY BHAGWANDAS	AA
2	ANKAR SANKET BHASKAR	AA
3	BARSAGADE BHAGYASHRI PRASHANT	20
4	CHOUDHARI TULSI KEWALRAM	12
5	DAMAHE HIMANSHU GHANSHYAM	13
6	DANDALE SURAJ GAJANANRAO	AA
7	FRANSWAH OSCAR ALYOSIS	AA
8	GHODMARE BHAVESH KRISHNAJI	04
9	GUHE KASTURI ASHISH	17
10	HUMANE TRUPTI SACHIN	15
11	KOHALE NANDINI VIJAY	13
12	KURHE RUDRA ATUL	AA
13	MATHANIKAR MOHINI DEORAO	16
14	MISHRA ANJALI CHANDRAMANI	19
15	NAGPURKAR AKSHATA KISAN	19
16	NAIK NIKHIL SUNIL	AA
17	PADOLE LAVANYA DATTU	AA
18	QAZI HUZAIFUDDIN SOHEBUDDIN	01
19	RANE HIMANSHU ARUN	17
20	SAHU PORNIMA JAYLAL	13
21	SAKHARKAR OM VITTHAL	14
22	SANTOSHWAR YASH SUDHIR	16

23	SHIVANKAR DEVYANI SATISH	12
24	TIWARI ANCHAL RAMSUSHIL	AA
25	TIWARI PRIYANSHU BALANDAR	AA
26	VIRDI HARSHNEET KAUR JASPAL SINGH VIRDI	19
27	KAWRE RUTVIK PRABHAKAR	07
28	GAJBHIYE SAMYAK VINOD	AA
29	BAGDE KAZANLI PRADIP	AA
30	KAKDE GAURAV DEVMAN	AA
31	NIMJE HRUSHANG RAVINDRA	AA
32	BHELWA DISHA INDAL	AA



**Dr. J. K. Keche**  
Signature of Coordinator  
**Coordinator**  
Department of Electronics  
SSEA's Science College,  
Congress Nagar, Nagpur-12

**Bachelor of Science (B.Sc.) Semester-II Examination**  
**Session 2023-24**  
**Electronics (Paper-II)**  
**Unit Test - II**

**Time: One Hour]**

**[Maximum Marks: 20**

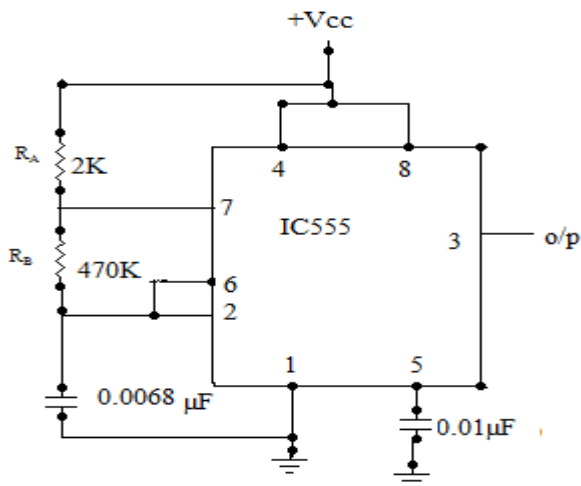
**Date:10-02-2024**

**Note:**

- (1) All questions are compulsory and carry equal marks.
- (2) Draw neat sketches wherever necessary.

**Attempt all. (20 Marks)**

- 1) Draw block diagram of IC555 and explain function of each block.
- 2) Explain OPAMP as Schmitt trigger and Define hysteresis voltage
- 3) Explain different types of voltage comparator using OP-Amp. with diagram
- 4) Find frequency and duty cycle from the given circuit diagram.



\*\*\*\*\*



*Shri Shivaji Education Society Amravati's*  
Science College, Congress Nagar, Nagpur

**Department of Electronics**

Class: B. Sc. (Semester-III) Subject: Electronics (Paper- I)

Session: - 2023-24

**Unit Test - I**

Name of the Teacher: Mrs. P. A. Bire

Date: 05/09/2023

Batch: M3 (PEM)

<b>Sr. No.</b>	<b>Full Name of Student</b>	<b>Unit Test Marks (Out of 20)</b>
1	CHANIANA KIRANPREET KAUR	07
2	DUBEY ISHA ROSHAN	06
3	FULZELE KASHISH GAJENDRA	AA
4	GOWARDIPE KAJAL PURUSHOTTAM	AA
5	HEDA00 DHIRAJ RAJENDRA	AA
6	KANGALE ACHAL RUSHI	AA
7	KAMBLE NAYAN ASHOK	AA
8	KHOTELE MAYANK HEMANTKUMAR	AA
9	MISHRA SHASHWAT RAMAKANT	03
10	MONDHE VISHAL VISHWANATH	AA
11	NAGPURKAR GAGAN MAROTI	AA
12	SINGH KASHISH NAGENDRA	09
13	SINGH SHEETAL AZADE	AA
14	SONWANE BHAGYASHREE CHANDRAKUMAR	AA
15	YADAV TAMANNA VIJAY	12

Batch: M10 (ECsM)

<b>Sr. No.</b>	<b>Full Name of Student</b>	<b>Unit Test Marks (Out of 20)</b>
1	AKRE KHUSHI KAILASH	AA
2	BAGDE SHREYA TARACHAND	04
3	BARDE YASHIKA KUNDLIK	09
4	BHATTALWAR VARAD ATUL	08
5	CHANDEL JAY MANOJSINGH	AA

6	CHAVAN PRATIK PREMDAS	AA
7	DAWARE SARVESH SUDHIR	03
8	DHOBLE VAISHNAVI GAJANAN	AA
9	GHORMARE KRUTIKA ANKUSH	13
10	GHUGAL ABHISHAKTI HARIBHAU	AA
11	HULKE VINAY MORESHWAR	12
12	KODANE PUNESHA DILIP	AA
13	KANHER JANHVI PANDHARI	04
14	LUTE HIMANSHI RAMESH	07
15	LENDE SANJANA KISHOR	03
16	MANKAR UJJWAL RAJESH	AA
17	MOHATURE TANHVI CHANDRASHEKHAR	AA
18	UMRREDKAR HARSHAL RAJESH	AA



**Dr. J. K. Keche**  
Signature of Coordinator  
**Coordinator**  
Department of Electronics  
SSEA's Science College,  
Congress Nagar, Nagpur-12

**Bachelor of Science (B.Sc.) Semester-III Examination**  
**Session 2023-24**  
**Electronics (Paper-I)**  
**Unit Test-I**

**Time: One Hour]**

**[Maximum Marks: 20**

**Date:05-09-2023**

**Note:**

- (1) All questions are compulsory and carry equal marks.
- (2) Draw neat sketches wherever necessary.

**Attempt any four. (20 Marks)**

- 1) Logical level for 5 bit R-2R ladder are  $1=5V$  and  $0 = 0V$  .  
Find the output voltage for output i) 10101    ii) 11001 3
- 2) Explain parameters of ADC: i) Resolution  
ii)Speed        iii) Range 3
- 3) Explain the working of dual slope ADC .What is advantages  
Of dual slope ADC? 3+2
- 4) Explain need of ADC and DAC. 4
- 5) What are limitations of weighted 4bit DAC? Explain R-2R  
Ladder 4 bit DAC. 2+3

^^^

*Shri Shivaji Education Society Amravati's*  
Science College, Congress Nagar, Nagpur

**Department of Electronics**

Class: B. Sc. (Semester-III) Subject: Electronics (Paper- I)

Session: - 2023-24

**Unit Test - II**

Name of the Teacher: Mrs. P. A. Bire

Date: 12/10/2023

Batch: M3 (PEM)

<b>Sr. No.</b>	<b>Full Name of Student</b>	<b>Unit Test Marks (Out of 20)</b>
1	CHANIANA KIRANPREET KAUR	11
2	DUBEY ISHA ROSHAN	10
3	FULZELE KASHISH GAJENDRA	AA
4	GOWARDIPE KAJAL PURUSHOTTAM	07
5	HEDAOO DHIRAJ RAJENDRA	03
6	KANGALE ACHAL RUSHI	09
7	KAMBLE NAYAN ASHOK	AA
8	KHOTELE MAYANK HEMANTKUMAR	07
9	MISHRA SHASHWAT RAMAKANT	11
10	MONDHE VISHAL VISHWANATH	18
11	NAGPURKAR GAGAN MAROTI	AA
12	SINGH KASHISH NAGENDRA	13
13	SINGH SHEETAL AZADE	09
14	SONWANE BHAGYASHREE CHANDRAKUMAR	18
15	YADAV TAMANNA VIJAY	15

Batch: M10 (ECsM)

<b>Sr. No.</b>	<b>Full Name of Student</b>	<b>Unit Test Marks (Out of 20)</b>
1	AKRE KHUSHI KAILASH	AA
2	BAGDE SHREYA TARACHAND	AA
3	BARDE YASHIKA KUNDLIK	11
4	BHATTALWAR VARAD ATUL	12
5	CHANDEL JAY MANOJSINGH	03
6	CHAVAN PRATIK PREMDAS	05
7	DAWARE SARVESH SUDHIR	10
8	DHOBLE VAISHNAVI GAJANAN	08
9	GHORMARE KRUTIKA ANKUSH	14

10	GHUGAL ABHISHAKTI HARIBHAU	AA
11	HULKE VINAY MORESHWAR	12
12	KODANE PUNESHA DILIP	04
13	KANHER JANHVI PANDHARI	18
14	LUTE HIMANSHI RAMESH	13
15	LENDE SANJANA KISHOR	18
16	MANKAR UJJWAL RAJESH	AA
17	MOHATURE TANHVI CHANDRASHEKHAR	12
18	UMRREDKAR HARSHAL RAJESH	AA



**Dr. J. K. Keche**  
Signature of Coordinator  
**Coordinator**  
Department of Electronics  
SSEA's Science College,  
Congress Nagar, Nagpur-12

**Bachelor of Science (B.Sc.) Semester-III Examination**  
**Session 2023-24**  
**Electronics (Paper-II)**  
**Unit Test -II**

**Time: One Hour]**

**[Maximum Marks: 20**

**Date:12-10-2023**

**Note:**

- (1) All questions are compulsory and carry equal marks.
- (2) Draw neat sketches wherever necessary.

**Attempt All**

- 1) What are limitations of weighted 4bit DAC? Explain R-2R Ladder 4 bit DAC. 2+3
- 2) Explain parameters of ADC: i) Resolution  
ii)Speed      iii) Range 3
- 3) Explain the working of dual slope ADC .What is advantages Of dual slope ADC? 3+2
- 4) Logical level for 5 bit R-2R ladder are 1=5V and 0 = 0V .  
Find the output voltage for output i) 10101      ii) 11001 3
- 5) Explain need of ADC and DAC. 4

\*\*\*

*Shri Shivaji Education Society Amravati's*  
Science College, Congress Nagar, Nagpur

**Department of Electronics**

Class: B. Sc. (Semester-IV) Subject: Electronics (Paper- I)

Session: - 2023-24

**Unit Test - I**

Name of the Teacher: Mrs. Sonali A. Sagdeo

Date: 4/12/2023


Batch: M3 (PEM)

<b>Sr. No.</b>	<b>Full Name of Student</b>	<b>Unit Test Marks (Out of 20)</b>
1	CHANIANA KIRANPREET KAUR	10
2	DUBEY ISHA ROSHAN	AA
3	FULZELE KASHISH GAJENDRA	AA
4	GOWARDIPE KAJAL PURUSHOTTAM	14
5	HEDAOO DHIRAJ RAJENDRA	12
6	KANGALE ACHAL RUSHI	13
7	KAMBLE NAYAN ASHOK	AA
8	KHOTELE MAYANK HEMANTKUMAR	AA
9	MISHRA SHASHWAT RAMAKANT	AA
10	MONDHE VISHAL VISHWANATH	AA
11	NAGPURKAR GAGAN MAROTI	AA
12	SINGH KASHISH NAGENDRA	14
13	SINGH SHEETAL AZADE	13
14	SONWANE BHAGYASHREE CHANDRAKUMAR	16
15	YADAV TAMANNA VIJAY	16

Batch: M10 (ECsM)

<b>Sr. No.</b>	<b>Full Name of Student</b>	<b>Unit Test Marks (Out of 20)</b>
1	AKRE KHUSHI KAILASH	18
2	BAGDE SHREYA TARACHAND	08
3	BARDE YASHIKA KUNDLIK	09
4	BHATTALWAR VARAD ATUL	AA
5	CHANDEL JAY MANOJSINGH	AA
6	CHAVAN PRATIK PREMDAS	AA
7	DAWARE SARVESH SUDHIR	18
8	DHOBLE VAISHNAVI GAJANAN	AA
9	GHORMARE KRUTIKA ANKUSH	16

10	GHUGAL ABHISHAKTI HARIBHAU	AA
11	HULKE VINAY MORESHWAR	AA
12	KODANE PUNESHA DILIP	AA
13	KANHER JANHVI PANDHARI	12
14	LUTE HIMANSHI RAMESH	AA
15	LENDE SANJANA KISHOR	14
16	MANKAR UJJWAL RAJESH	AA
17	MOHATURE TANHVI CHANDRASHEKHAR	14
18	UMRREDKAR HARSHAL RAJESH	AA

  
**Dr. J. K. Keche**  
Signature of Coordinator  
**Coordinator**  
Department of Electronics  
SSEA's Science College,  
Congress Nagar, Nagpur-12



**Bachelor of Science (B.Sc.) Semester-IV Examination**  
**Session 2023-24**  
**Electronics (Paper-I)**  
**Unit Test -I**

**Time: One Hour]**

**[Maximum Marks: 20**

**Date:04-12-2023**

**Note:**

- (1) All questions are compulsory and carry equal marks.
- (2) Draw neat sketches wherever necessary.

**Attempt any four. (20)**

- 1) Explain (a) sources of noise (b) Signal to noise ratio (c) Noise figure.
- 2) What is multiplexing? Explain its classification. Describe the process of FDM and TDM and state any three differences between them.
- 3) Derive an expression for power calculation in AM wave. Give the comparison between AM and FM.
- 4) State different types of Noise and explain it.
- 5) Explain Amplitude modulation in brief along with waveform. Draw and explain frequency spectrum at AM wave.

\*\*\*

*Shri Shivaji Education Society Amravati's*  
Science College, Congress Nagar, Nagpur

**Department of Electronics**

Class: B. Sc. (Semester-IV) Subject: Electronics (Paper- I)

Session: - 2023-24

**Unit Test - II**

Name of the Teacher: Mrs Sonali A. Sagdeo

Date: 22/01/2024


Batch: M3 (PEM)

<b>Sr. No.</b>	<b>Full Name of Student</b>	<b>Unit Test Marks (Out of 20)</b>
1	CHANIANA KIRANPREET KAUR	10
2	DUBEY ISHA ROSHAN	AA
3	FULZELE KASHISH GAJENDRA	AA
4	GOWARDIPE KAJAL PURUSHOTTAM	12
5	HEDAOO DHIRAJ RAJENDRA	14
6	KANGALE ACHAL RUSHI	13
7	KAMBLE NAYAN ASHOK	AA
8	KHOTELE MAYANK HEMANTKUMAR	AA
9	MISHRA SHASHWAT RAMAKANT	AA
10	MONDHE VISHAL VISHWANATH	AA
11	NAGPURKAR GAGAN MAROTI	AA
12	SINGH KASHISH NAGENDRA	13
13	SINGH SHEETAL AZADE	14
14	SONWANE BHAGYASHREE CHANDRAKUMAR	15
15	YADAV TAMANNA VIJAY	16

Batch: M10 (ECsM)

<b>Sr. No.</b>	<b>Full Name of Student</b>	<b>Unit Test Marks (Out of 20)</b>
1	AKRE KHUSHI KAILASH	19
2	BAGDE SHREYA TARACHAND	06
3	BARDE YASHIKA KUNDLIK	06
4	BHATTALWAR VARAD ATUL	04
5	CHANDEL JAY MANOJSINGH	AA
6	CHAVAN PRATIK PREMDAS	AA
7	DAWARE SARVESH SUDHIR	16
8	DHOBLE VAISHNAVI GAJANAN	17
9	GHORMARE KRUTIKA ANKUSH	17

10	GHUGAL ABHISHAKTI HARIBHAU	06
11	HULKE VINAY MORESHWAR	08
12	KODANE PUNESHA DILIP	AA
13	KANHER JANHVI PANDHARI	14
14	LUTE HIMANSHI RAMESH	AA
15	LENDE SANJANA KISHOR	16
16	MANKAR UJJWAL RAJESH	AA
17	MOHATURE TANHVI CHANDRASHEKHAR	AA
18	UMRREDKAR HARSHAL RAJESH	AA

  
**Dr. J. K. Keche**  
Signature of Coordinator  
**Coordinator**  
Department of Electronics  
SSEA's Science College,  
Congress Nagar, Nagpur-12

**Bachelor of Science (B.Sc.) Semester-IV Examination**  
**Session 2023-24**  
**Electronics (Paper-I)**  
**Unit Test -II**

**Time: One Hour]**

**[Maximum Marks: 20**

**Date:22-01-2024**

**Note:**

- (1) All questions are compulsory and carry equal marks.
- (2) Draw neat sketches wherever necessary.

**Attempt any four. (20)**

- 1) What are standing waves? How are they produced? What does a high SWR indicate in terms of impedance match?
- 2) Differentiate between AM and FM receiver.
- 3) What are transmission lines? What are the different types of transmission lines?
- 4) Explain Am transmitters with the block diagram.
- 5) Explain super-heterodyne receiver with the block diagram.

\*\*\*

*Shri Shivaji Education Society Amravati's*  
Science College, Congress Nagar, Nagpur

**Department of Electronics**

Class: B. Sc. (Semester-IV) Subject: Electronics (Paper- II)

Session: - 2023-24

**Unit Test - I**

Name of the Teacher:

Date: 09/12/2023

Batch: M3 (PEM)

<b>Sr. No.</b>	<b>Full Name of Student</b>	<b>Unit Test Marks (Out of 20)</b>
1	CHANIANA KIRANPREET KAUR	12
2	DUBEY ISHA ROSHAN	13
3	FULZELE KASHISH GAJENDRA	AA
4	GOWARDIPE KAJAL PURUSHOTTAM	15
5	HEDAOO DHIRAJ RAJENDRA	12
6	KANGALE ACHAL RUSHI	13
7	KAMBLE NAYAN ASHOK	AA
8	KHOTELE MAYANK HEMANTKUMAR	AA
9	MISHRA SHASHWAT RAMAKANT	AA
10	MONDHE VISHAL VISHWANATH	14
11	NAGPURKAR GAGAN MAROTI	AA
12	SINGH KASHISH NAGENDRA	AA
13	SINGH SHEETAL AZADE	12
14	SONWANE BHAGYASHREE CHANDRAKUMAR	14
15	YADAV TAMANNA VIJAY	16

Batch: M10 (ECsM)

<b>Sr. No.</b>	<b>Full Name of Student</b>	<b>Unit Test Marks (Out of 20)</b>
1	AKRE KHUSHI KAILASH	17
2	BAGDE SHREYA TARACHAND	10
3	BARDE YASHIKA KUNDLIK	08
4	BHATTALWAR VARAD ATUL	06
5	CHANDEL JAY MANOJSINGH	AA
6	CHAVAN PRATIK PREMDAS	AA
7	DAWARE SARVESH SUDHIR	18
8	DHOBLE VAISHNAVI GAJANAN	19
9	GHORMARE KRUTIKA ANKUSH	17

10	GHUGAL ABHISHAKTI HARIBHAU	12
11	HULKE VINAY MORESHWAR	17
12	KODANE PUNESHA DILIP	AA
13	KANHER JANHVI PANDHARI	18
14	LUTE HIMANSHI RAMESH	AA
15	LENDE SANJANA KISHOR	17
16	MANKAR UJJWAL RAJESH	AA
17	MOHATURE TANHVI CHANDRASHEKHAR	20
18	UMRREDKAR HARSHAL RAJESH	AA



**Dr. J. K. Keche**  
Signature of Coordinator  
**Coordinator**  
Department of Electronics  
SSEA's Science College,  
Congress Nagar, Nagpur-12

**Bachelor of Science (B.Sc.) Semester-IV Examination**  
**Session 2023-24**  
**Electronics (Paper-II)**  
**Unit Test -I**

**Time: One Hour]**

**[Maximum Marks: 20**

**Date:09-12-2023**

**Note:**

- (1) All questions are compulsory and carry equal marks.
- (2) Draw neat sketches wherever necessary.

**Attempt the following: (20 Marks)**

1.

(A) Explain the classification of transducer with suitable examples. Enlist the photo transducers and explain its principle of operation. (6+4)

**OR**

(B) Enlist the characteristics of transducer and explain it. (10)

2.

(A) What is digital Instrumentation system ? Draw and explain the block diagram of it. State the characteristics of it. (2+6+2)

**OR**

(B) Define dedicated, versatile and stand alone instrumentation systems. What is calibration ? List the different calibration standards. (6+4)

\*\*\*

*Shri Shivaji Education Society Amravati's*  
Science College, Congress Nagar, Nagpur

**Department of Electronics**

Class: B. Sc. (Semester-IV) Subject: Electronics (Paper-II)

Session: - 2023-24

**Unit Test - II**

Name of the Teacher:

Date: 20/01/2024

Batch: M3 (PEM)


<b>Sr. No.</b>	<b>Full Name of Student</b>	<b>Unit Test Marks (Out of 20)</b>
1	CHANIANA KIRANPREET KAUR	14
2	DUBEY ISHA ROSHAN	02
3	FULZELE KASHISH GAJENDRA	AA
4	GOWARDIPE KAJAL PURUSHOTTAM	16
5	HEDAOO DHIRAJ RAJENDRA	AA
6	KANGALE ACHAL RUSHI	16
7	KAMBLE NAYAN ASHOK	AA
8	KHOTELE MAYANK HEMANTKUMAR	AA
9	MISHRA SHASHWAT RAMAKANT	AA
10	MONDHE VISHAL VISHWANATH	10
11	NAGPURKAR GAGAN MAROTI	AA
12	SINGH KASHISH NAGENDRA	AA
13	SINGH SHEETAL AZADE	12
14	SONWANE BHAGYASHREE CHANDRAKUMAR	15
15	YADAV TAMANNA VIJAY	15

Batch: M10 (ECsM)

<b>Sr. No.</b>	<b>Full Name of Student</b>	<b>Unit Test Marks (Out of 20)</b>
1	AKRE KHUSHI KAILASH	19
2	BAGDE SHREYA TARACHAND	06
3	BARDE YASHIKA KUNDLIK	06
4	BHATTALWAR VARAD ATUL	04
5	CHANDEL JAY MANOJSINGH	AA
6	CHAVAN PRATIK PREMDAS	AA
7	DAWARE SARVESH SUDHIR	16
8	DHOBLE VAISHNAVI GAJANAN	17
9	GHORMARE KRUTIKA ANKUSH	17



10	GHUGAL ABHISHAKTI HARIBHAU	06
11	HULKE VINAY MORESHWAR	08
12	KODANE PUNESHA DILIP	AA
13	KANHER JANHVI PANDHARI	14
14	LUTE HIMANSHI RAMESH	AA
15	LENDE SANJANA KISHOR	16
16	MANKAR UJJWAL RAJESH	AA
17	MOHATURE TANHVI CHANDRASHEKHAR	AA
18	UMRREDKAR HARSHAL RAJESH	AA

  
**Dr. J. K. Keche**  
Signature of Coordinator  
**Coordinator**  
Department of Electronics  
SSEA's Science College,  
Congress Nagar, Nagpur-12

**Bachelor of Science (B.Sc.) Semester-IV Examination**  
**Session 2023-24**  
**Electronics (Paper-II)**  
**Unit Test -II**

**Time: One Hour]**

**[Maximum Marks: 20**

**Date:20-01-2024**

**Note:**

- (1) All questions are compulsory and carry equal marks.
- (2) Draw neat sketches wherever necessary.

**Attempt the following (20 Marks)**

1. (A) Explain the measurement of temperature using IC LM 35. Explain (i) Active and Passive  
(ii) Primary and secondary transducers with suitable examples. 6+4

**OR**

(B) Describe the principle of operation and working of thermistor for the measurement of temperature. Explain the concept of sensor and actuator. 6+4

2. (A) Describe PC based instrumentation system. Draw the block diagram of Virtual instrumentation system and explain it. 5+5

**OR**

(B) Draw the block diagram of Electronic system and explain it. What is analog and digital electronic system ? Describe the characteristics of measuring instrument. 6+2+2

\*\*\*

*Shri Shivaji Education Society Amravati's*  
Science College, Congress Nagar, Nagpur

**Department of Electronics**

Class: B. Sc. (Semester-V) Subject: Electronics (Paper- I)

Session: - 2023-24

**Unit Test - I**

Name of the Teacher: Mrs. P. A. Bire

Date: 09/09/2023

Batch: M3 (PEM)

<b>Sr. No.</b>	<b>Full Name of Student</b>	<b>Unit Test Marks (Out of 20)</b>
1	BALAPURE PARI GAJANAN	14
2	BANSOD NIKHIL MILIND	02
3	BHIWGADE SHRINAY YOGESH	08
4	DHADSE VAISHNAVI VIJAY	10
5	DHAKATE SAKSHI PRAMOD	11
6	JADHAV AASTHA SANJU	11
7	JOSHI ARTI SUBHASH	AA
8	KHAPRE MUSKAN PRAKASH	02
9	LODHIKAR ANJALI NANESHWAR	AA
10	MESHRAM NISHANT DUSHYANT	03
11	MESHRAM ROSHNI SHRIHARI	03
12	MISAR KHUSHI MANOJ	AA
13	MISHRA MAHEK PRAMOD	02
14	PATEL LOKESH SHRINIWAS	AA
15	PATHAK MUSKAN VINAY	14
16	SATHWANE SHUBHAM RAJENDRA	AA
17	SHARMA SNEHA RANJAYKUMAR	16
18	SIRSAT VIKRANT DEVENDRA	AA
19	SONPIMPALE YASH ARVIND	AA
20	WAGH SARANG VILAS	04
21	ZADE GAURI MUKESH	16

Batch: M10 (ECsM)

<b>Sr. No.</b>	<b>Full Name of Student</b>	<b>Unit Test Marks (Out of 20)</b>
1	AMBEKAR NIHARIKA MAHESH	AA
2	BARAI YOGESHREE DINESH	AA
3	BARAMATE KHUSHI SHASHIKANT	AA
4	BARAPATRE ANIKET PURUSHOTTAM	04
5	DANGE PRATIKSHA BABAN	AA
6	DESHBHRATAR PARMITA SIDDHARTH	AA
7	DOKWAL SHREYA NARENDRA	14
8	GUMGAONKAR PRATHMESH DINESH	12
9	JADHAV AKSHATA SUNIL	AA
10	JIBHAKATE VAIDEHI SUNIL	12

11	KHIANI VISHAKA MANGHANLAL	19
12	KIRPAN AKANKSHA KUMESHWAR	AA
13	KOCHE PRIYANSH BABURAO	07
14	LANJEWAR SAKSHI MOTIRAM	AA
15	MAKODE HARSHU CHANDU	AA
16	PATIL RUDHALI RAMESH	12
17	RANGARI HARSHAL BHOJRAJ	19
18	RAO KIRAN SHANTA	19
19	SAMARTH SHRUTI SUNIL	05
20	SANGITRAO VIPUL DIPAK	AA
21	SONTAKKE NUPUL MAHENDRA	AA
22	TAKALKHEDE DISHA SUNIL	05
23	TAMBUSKAR RUSHIKESH SATISHRAO	AA
24	THAKRE KRUTIKA NIRAJ	AA
25	UPRADE SAUMYA FULSING	01
26	WAKDE SANCHIT CHANDRASHEKHAR	12



**Dr. J. K. Keche**  
Signature of Coordinator  
**Coordinator**

**Department of Electronics**  
**SSEA's Science College,**  
**Congress Nagar, Nagpur-12**

**Bachelor of Science (B.Sc.) Semester-V Examination**  
**Session 2023-24**  
**Electronics (Paper-I)**  
**Unit Test -I**

**Time: One Hour]**

**[Maximum Marks: 20**

**Date:09-09-2023**

**Note:**

- (1) All questions are compulsory and carry equal marks.
- (2) Draw neat sketches wherever necessary.

**Attempt any four (20 Marks)**

- 1) What is the working principle and characteristics of LASER and LED.
- 2) Explain Attenuation, absorption, scattering loss, bending loss and dispersion loss.
- 3) Draw and explain the block diagram of fibre optic communication system.
- 4) Define acceptance cone/ angle, critical angle and numerical aperture.
- 5) Differentiate between LED and LASER diode source.

\*\*\*

*Shri Shivaji Education Society Amravati's*  
Science College, Congress Nagar, Nagpur

**Department of Electronics**

Class: B. Sc. (Semester-V) Subject: Electronics (Paper- I)

Session: - 2023-24

**Unit Test - II**

Name of the Teacher: Mrs. P. A. Bire

Date: 26/10/2023

Batch: M3 (PEM)

<b>Sr. No.</b>	<b>Full Name of Student</b>	<b>Unit Test Marks (Out of 20)</b>
1	BALAPURE PARI GAJANAN	18
2	BANSOD NIKHIL MILIND	10
3	BHIWGADE SHRINAY YOGESH	12
4	DHADSE VAISHNAVI VIJAY	14
5	DHAKATE SAKSHI PRAMOD	AA
6	JADHAV AASTHA SANJU	AA
7	JOSHI ARTI SUBHASH	AA
8	KHAPRE MUSKAN PRAKASH	AA
9	LODHIKAR ANJALI NANESHWAR	AA
10	MESHRAM NISHANT DUSHYANT	10
11	MESHRAM ROSHNI SHRIHARI	AA
12	MISAR KHUSHI MANOJ	AA
13	MISHRA MAHEK PRAMOD	AA
14	PATEL LOKESH SHRINIWAS	01
15	PATHAK MUSKAN VINAY	17
16	SATHWANE SHUBHAM RAJENDRA	AA
17	SHARMA SNEHA RANJAYKUMAR	18
18	SIRSAT VIKRANT DEVENDRA	AA
19	SONPIMPALE YASH ARVIND	AA
20	WAGH SARANG VILAS	05
21	ZADE GAURI MUKESH	20

Batch: M10 (ECsM)

<b>Sr. No.</b>	<b>Full Name of Student</b>	<b>Unit Test Marks (Out of 20)</b>
1	AMBEKAR NIHARIKA MAHESH	12
2	BARAI YOGESHREE DINESH	AA
3	BARAMATE KHUSHI SHASHIKANT	10
4	BARAPATRE ANIKET PURUSHOTTAM	13
5	DANGE PRATIKSHA BABAN	04
6	DESHBHRATAR PARMITA SIDDHARTH	AA
7	DOKWAL SHREYA NARENDRA	19
8	GUMGAONKAR PRATHMESH DINESH	10
9	JADHAV AKSHATA SUNIL	13
10	JIBHAKATE VAIDEHI SUNIL	AA

11	KHIANI VISHAKA MANGHANLAL	19
12	KIRPAN AKANKSHA KUMESHWAR	10
13	KOCHE PRIYANSH BABURAO	09
14	LANJEWAR SAKSHI MOTIRAM	AA
15	MAKODE HARSHU CHANDU	11
16	PATIL RUDHALI RAMESH	AA
17	RANGARI HARSHAL BHOJRAJ	10
18	RAO KIRAN SHANTA	11
19	SAMARTH SHRUTI SUNIL	13
20	SANGITRAO VIPUL DIPAK	13
21	SONTAKKE NUPUL MAHENDRA	AA
22	TAKALKHEDE DISHA SUNIL	09
23	TAMBUSKAR RUSHIKESH SATISHRAO	07
24	THAKRE KRUTIKA NIRAJ	AA
25	UPRADE SAUMYA FULSING	12
26	WAKDE SANCHIT CHANDRASHEKHAR	18



**Dr. J. K. Keche**  
Signature of Coordinator  
**Coordinator**

**Department of Electronics**  
**SSEA's Science College,**  
**Congress Nagar, Nagpur-12**

**Bachelor of Science (B.Sc.) Semester-V Examination**  
**Session 2023-24**  
**Electronics (Paper-I)**  
**Unit Test -II**

**Time: One Hour]**

**[Maximum Marks: 20**

**Date:26-10-2023**

**Note:**

- (1) All questions are compulsory and carry equal marks.
- (2) Draw neat sketches wherever necessary.

**Attempt any four (20 Marks)**

- 1) Write advantages, disadvantages and drawbacks of PSK, ASK and FSK.
- 2) Explain synchronous and asynchronous transmission.
- 3) State and Prove Sampling theorem in time domain.
- 4) Explain in detail, Delta modulation with suitable diagram. Write advantages and disadvantages of Delta modulation.
- 5) Draw and explain block diagram of PCM generator and PCM receiver.

\*\*\*



*Shri Shivaji Education Society Amravati's*  
Science College, Congress Nagar, Nagpur

**Department of Electronics**

Class: B. Sc. (Semester-V) Subject: Electronics (Paper-II)

Session: - 2023-24

**Unit Test - I**

Name of the Teacher: Mrs. R. R. Pali

Date: 26/08/2023

Batch: M3 (PEM)

<b>Sr. No.</b>	<b>Full Name of Student</b>	<b>Unit Test Marks (Out of 20)</b>
1	BALAPURE PARI GAJANAN	18
2	BANSOD NIKHIL MILIND	10
3	BHIWGADE SHRINAY YOGESH	12
4	DHADSE VAISHNAVI VIJAY	14
5	DHAKATE SAKSHI PRAMOD	AA
6	JADHAV AASTHA SANJU	AA
7	JOSHI ARTI SUBHASH	AA
8	KHAPRE MUSKAN PRAKASH	AA
9	LODHIKAR ANJALI NANESHWAR	AA
10	MESHRAM NISHANT DUSHYANT	10
11	MESHRAM ROSHNI SHRIHARI	AA
12	MISAR KHUSHI MANOJ	AA
13	MISHRA MAHEK PRAMOD	AA
14	PATEL LOKESH SHRINIWAS	01
15	PATHAK MUSKAN VINAY	17
16	SATHWANE SHUBHAM RAJENDRA	AA
17	SHARMA SNEHA RANJAYKUMAR	18
18	SIRSAT VIKRANT DEVENDRA	AA
19	SONPIMPALE YASH ARVIND	AA
20	WAGH SARANG VILAS	05
21	ZADE GAURI MUKESH	20

Batch: M10 (ECsM)

<b>Sr. No.</b>	<b>Full Name of Student</b>	<b>Unit Test Marks (Out of 20)</b>
1	AMBEKAR NIHARIKA MAHESH	12
2	BARAI YOGESHREE DINESH	AA
3	BARAMATE KHUSHI SHASHIKANT	10
4	BARAPATRE ANIKET PURUSHOTTAM	13
5	DANGE PRATIKSHA BABAN	04
6	DESHBHRATAR PARMITA SIDDHARTH	AA
7	DOKWAL SHREYA NARENDRA	19
8	GUMGAONKAR PRATHMESH DINESH	10
9	JADHAV AKSHATA SUNIL	13
10	JIBHAKATE VAIDEHI SUNIL	

11	KHIANI VISHAKA MANGHANLAL	19
12	KIRPAN AKANKSHA KUMESHWAR	10
13	KOCHE PRIYANSH BABURAO	09
14	LANJEWAR SAKSHI MOTIRAM	AA
15	MAKODE HARSHU CHANDU	11
16	PATIL RUDHALI RAMESH	AA
17	RANGARI HARSHAL BHOJRAJ	10
18	RAO KIRAN SHANTA	11
19	SAMARTH SHRUTI SUNIL	13
20	SANGITRAO VIPUL DIPAK	13
21	SONTAKKE NUPUL MAHENDRA	AA
22	TAKALKHEDE DISHA SUNIL	09
23	TAMBUSKAR RUSHIKESH SATISHRAO	07
24	THAKRE KRUTIKA NIRAJ	AA
25	UPRADE SAUMYA FULSING	12
26	WAKDE SANCHIT CHANDRASHEKHAR	18



**Dr. J. K. Keche**  
Signature of Coordinator  
**Coordinator**

**Department of Electronics**  
**SSESA's Science College,**  
**Congress Nagar, Nagpur-12**

**Bachelor of Science (B.Sc.) Semester-V Examination**  
**Session 2023-24**  
**Electronics (Paper-II)**  
**Unit Test -I**

**Time: One Hour]**

**[Maximum Marks: 20**

**Date:26-08-2023**

**Note:**

- (1) All questions are compulsory and carry equal marks.
- (2) Draw neat sketches wherever necessary.

Attempt the following (20 Marks)

1. (A) Explain the following instruction with one suitable example :

- (i) MOV A, M
- (ii) LXI D, 16 bit data
- (iii) CMA
- (iv) LHLD addr
- (v) RAR. 10

**OR**

(B) Assume that HL pair holds 2000 H. What will be the contents of HL pair after the execution of following instructions independently :

- (i) INX H (ii) DCX H
- (iii) INR H (iv) DCR L

Explain various addressing modes of 8085 with suitable example. 4+6

2. (A) Draw and explain functional block diagram of 8085. 10

**OR**

(B) Explain instruction cycle of 8085. Explain execution cycle of MOV A, B instruction. 6+4

\*\*\*

*Shri Shivaji Education Society Amravati's*  
Science College, Congress Nagar, Nagpur

**Department of Electronics**

Class: B. Sc. (Semester-V) Subject: Electronics (Paper-II)

Session: - 2023-24

**Unit Test - II**

Name of the Teacher: Mrs. Raksha R. Pali

Date: 06/10/2023

Batch: M3 (PEM)

<b>Sr. No.</b>	<b>Full Name of Student</b>	<b>Unit Test Marks (Out of 20)</b>
1	BALAPURE PARI GAJANAN	20
2	BANSOD NIKHIL MILIND	12
3	BHIWGADE SHRINAY YOGESH	12
4	DHADSE VAISHNAVI VIJAY	16
5	DHAKATE SAKSHI PRAMOD	AA
6	JADHAV AASTHA SANJU	02
7	JOSHI ARTI SUBHASH	04
8	KHAPRE MUSKAN PRAKASH	08
9	LODHIKAR ANJALI NANESHWAR	02
10	MESHRAM NISHANT DUSHYANT	04
11	MESHRAM ROSHNI SHRIHARI	04
12	MISAR KHUSHI MANOJ	AA
13	MISHRA MAHEK PRAMOD	05
14	PATEL LOKESH SHRINIWAS	02
15	PATHAK MUSKAN VINAY	18
16	SATHWANE SHUBHAM RAJENDRA	AA
17	SHARMA SNEHA RANJAYKUMAR	16
18	SIRSAT VIKRANT DEVENDRA	04
19	SONPIMPALE YASH ARVIND	AA
20	WAGH SARANG VILAS	06
21	ZADE GAURI MUKESH	19

Batch: M10 (ECsM)

<b>Sr. No.</b>	<b>Full Name of Student</b>	<b>Unit Test Marks (Out of 20)</b>
1	AMBEKAR NIHARIKA MAHESH	16
2	BARAI YOGESHREE DINESH	AA
3	BARAMATE KHUSHI SHASHIKANT	12
4	BARAPATRE ANIKET PURUSHOTTAM	05
5	DANGE PRATIKSHA BABAN	02
6	DESHBHRATAR PARMITA SIDDHARTH	02
7	DOKWAL SHREYA NARENDRA	14
8	GUMGAONKAR PRATHMESH DINESH	14
9	JADHAV AKSHATA SUNIL	10
10	JIBHAKATE VAIDEHI SUNIL	AA

11	KHIANI VISHAKA MANGHANLAL	19
12	KIRPAN AKANKSHA KUMESHWAR	AA
13	KOCHE PRIYANSH BABURAO	06
14	LANJEWAR SAKSHI MOTIRAM	AA
15	MAKODE HARSHU CHANDU	03
16	PATIL RUDHALI RAMESH	18
17	RANGARI HARSHAL BHOJRAJ	AA
18	RAO KIRAN SHANTA	AA
19	SAMARTH SHRUTI SUNIL	10
20	SANGITRAO VIPUL DIPAK	12
21	SONTAKKE NUPUL MAHENDRA	02
22	TAKALKHEDE DISHA SUNIL	01
23	TAMBUSKAR RUSHIKESH SATISHRAO	03
24	THAKRE KRUTIKA NIRAJ	AA
25	UPRADE SAUMYA FULSING	06
26	WAKDE SANCHIT CHANDRASHEKHAR	12



**Dr. J. K. Keche**  
Signature of Coordinator  
**Coordinator**

**Department of Electronics**  
**SSEA's Science College,**  
**Congress Nagar, Nagpur-12**

**Bachelor of Science (B.Sc.) Semester-V Examination**  
**Session 2023-24**  
**Electronics (Paper-II)**  
**Unit Test -II**

**Time: One Hour]**

**[Maximum Marks: 20**

**Date:06-10-2023**

**Note:**

- (1) All questions are compulsory and carry equal marks.
- (2) Draw neat sketches wherever necessary.

**Attempt (20 Marks)**

1. (A) Explain stack and subroutine operations of  $\mu$ p 8085. Explain the execution of PUSH and POP instruction with suitable example. (6+4)

**OR**

(2) (B) List various conditional and unconditional jump instructions of 8085. Write an ALP to find out the smaller of two 8-bit numbers stored in memory location 2100 H and 2101 H. Store the result in 2102 H. (6+4)

\*\*\*

*Shri Shivaji Education Society Amravati's*  
Science College, Congress Nagar, Nagpur

**Department of Electronics**

Class: B. Sc. (Semester-VI) Subject: Electronics (Paper- I)

Session: - 2023-24

**Unit Test - I**

Name of the Teacher: Dr. J. K. Keche

Date: 02/01/2024

Batch: M3 (PEM)

<b>Sr. No.</b>	<b>Full Name of Student</b>	<b>Unit Test Marks (Out of 20)</b>
1	BALAPURE PARI GAJANAN	13
2	BANSOD NIKHIL MILIND	11
3	BHIWGADE SHRINAY YOGESH	10
4	DHADSE VAISHNAVI VIJAY	15
5	DHAKATE SAKSHI PRAMOD	AA
6	JADHAV AASTHA SANJU	AA
7	JOSHI ARTI SUBHASH	AA
8	KHAPRE MUSKAN PRAKASH	AA
9	LODHIKAR ANJALI NANESHWAR	AA
10	MESHRAM NISHANT DUSHYANT	12
11	MESHRAM ROSHNI SHRIHARI	AA
12	MISAR KHUSHI MANOJ	AA
13	MISHRA MAHEK PRAMOD	AA
14	PATEL LOKESH SHRINIWAS	04
15	PATHAK MUSKAN VINAY	16
16	SATHWANE SHUBHAM RAJENDRA	AA
17	SHARMA SNEHA RANJAYKUMAR	19
18	SIRSAT VIKRANT DEVENDRA	AA
19	SONPIMPALE YASH ARVIND	AA
20	WAGH SARANG VILAS	07
21	ZADE GAURI MUKESH	18

Batch: M10 (ECsM)

<b>Sr. No.</b>	<b>Full Name of Student</b>	<b>Unit Test Marks (Out of 20)</b>
1	AMBEKAR NIHARIKA MAHESH	11
2	BARAI YOGESHREE DINESH	AA
3	BARAMATE KHUSHI SHASHIKANT	12
4	BARAPATRE ANIKET PURUSHOTTAM	15
5	DANGE PRATIKSHA BABAN	06
6	DESHBHRATAR PARMITA SIDDHARTH	AA
7	DOKWAL SHREYA NARENDRA	20
8	GUMGAONKAR PRATHMESH DINESH	12
9	JADHAV AKSHATA SUNIL	11
10	JIBHAKATE VAIDEHI SUNIL	AA

11	KHIANI VISHAKA MANGHANLAL	18
12	KIRPAN AKANKSHA KUMESHWAR	12
13	KOCHE PRIYANSH BABURAO	08
14	LANJEWAR SAKSHI MOTIRAM	AA
15	MAKODE HARSHU CHANDU	10
16	PATIL RUDHALI RAMESH	AA
17	RANGARI HARSHAL BHOJRAJ	AA
18	RAO KIRAN SHANTA	16
19	SAMARTH SHRUTI SUNIL	12
20	SANGITRAO VIPUL DIPAK	14
21	SONTAKKE NUPUL MAHENDRA	AA
22	TAKALKHEDE DISHA SUNIL	09
23	TAMBUSKAR RUSHIKESH SATISHRAO	09
24	THAKRE KRUTIKA NIRAJ	AA
25	UPRADE SAUMYA FULSING	11
26	WAKDE SANCHIT CHANDRASHEKHAR	14



**Dr. J. K. Keche**  
Signature of Coordinator  
**Coordinator**

**Department of Electronics**  
**SSESA's Science College,**  
**Congress Nagar, Nagpur-12**



**Bachelor of Science (B.Sc.) Semester-VI Examination**  
**Session 2023-24**  
**Electronics (Paper-I Topic: Programming in 'C' Unit No. 1)**  
**Unit Test -I**

**Time: One Hour]**

**[Maximum Marks: 20**

**Date:02-01-2024**

**Note:**

- (1) All questions are compulsory and carry equal marks.
- (2) Draw neat and labelled diagram wherever necessary.

**Attempt the following 20 Marks)**

(A) Answer the following: [10]

- (i) What is Keyword? State its importance enlist any five keywords in 'C'.
1. (ii) Write a program in 'C' to convert given temperature from Fahrenheit to Celsius. [10]

**OR**

(B) Enlist various types of C operators. Differentiate between pre and post increment of a variable and explain with suitable example. State the difference between logical and bitwise operators with suitable examples in each case.

2. Attempt any five. [10]

- a) Explain the purpose of following: printf( ), scanf( ).
- b) Explain how a variable can be declared with suitable example.
- c) Explain conditional operator with its format.
- d) State the merits of 'C' language.
- e) What is C token?
- f) List the rules for naming variables giving example.

\* \* \* \* \*

*Shri Shivaji Education Society Amravati's*  
Science College, Congress Nagar, Nagpur

**Department of Electronics**

Class: B. Sc. (Semester-VI) Subject: Electronics (Paper-I)

Session: - 2023-24

**Unit Test - II**

Name of the Teacher: Dr. J. K. Keche

Date: 10/02/2024

Batch: M3 (PEM)

<b>Sr. No.</b>	<b>Full Name of Student</b>	<b>Unit Test Marks (Out of 20)</b>
1	BALAPURE PARI GAJANAN	15
2	BANSOD NIKHIL MILIND	13
3	BHIWGADE SHRINAY YOGESH	12
4	DHADSE VAISHNAVI VIJAY	16
5	DHAKATE SAKSHI PRAMOD	10
6	JADHAV AASTHA SANJU	AA
7	JOSHI ARTI SUBHASH	AA
8	KHAPRE MUSKAN PRAKASH	AA
9	LODHIKAR ANJALI NANESHWAR	AA
10	MESHRAM NISHANT DUSHYANT	11
11	MESHRAM ROSHNI SHRIHARI	AA
12	MISAR KHUSHI MANOJ	AA
13	MISHRA MAHEK PRAMOD	AA
14	PATEL LOKESH SHRINIWAS	04
15	PATHAK MUSKAN VINAY	15
16	SATHWANE SHUBHAM RAJENDRA	AA
17	SHARMA SNEHA RANJAYKUMAR	17
18	SIRSAT VIKRANT DEVENDRA	AA
19	SONPIMPALE YASH ARVIND	AA
20	WAGH SARANG VILAS	07
21	ZADE GAURI MUKESH	16

Batch: M10 (ECsM)

<b>Sr. No.</b>	<b>Full Name of Student</b>	<b>Unit Test Marks (Out of 20)</b>
1	AMBEKAR NIHARIKA MAHESH	13
2	BARAI YOGESHREE DINESH	AA
3	BARAMATE KHUSHI SHASHIKANT	11
4	BARAPATRE ANIKET PURUSHOTTAM	16
5	DANGE PRATIKSHA BABAN	07
6	DESHBHRATAR PARMITA SIDDHARTH	AA
7	DOKWAL SHREYA NARENDRA	18
8	GUMGAONKAR PRATHMESH DINESH	13
9	JADHAV AKSHATA SUNIL	10
10	JIBHAKATE VAIDEHI SUNIL	AA

11	KHIANI VISHAKA MANGHANLAL	19
12	KIRPAN AKANKSHA KUMESHWAR	14
13	KOCHE PRIYANSH BABURAO	10
14	LANJEWAR SAKSHI MOTIRAM	AA
15	MAKODE HARSHU CHANDU	10
16	PATIL RUDHALI RAMESH	9
17	RANGARI HARSHAL BHOJRAJ	AA
18	RAO KIRAN SHANTA	17
19	SAMARTH SHRUTI SUNIL	13
20	SANGITRAO VIPUL DIPAK	15
21	SONTAKKE NUPUL MAHENDRA	AA
22	TAKALKHEDE DISHA SUNIL	08
23	TAMBUSKAR RUSHIKESH SATISHRAO	AA
24	THAKRE KRUTIKA NIRAJ	AA
25	UPRADE SAUMYA FULSING	8
26	WAKDE SANCHIT CHANDRASHEKHAR	12



**Dr. J. K. Keche**  
Signature of Coordinator  
**Coordinator**

**Department of Electronics**  
**SSESA's Science College,**  
**Congress Nagar, Nagpur-12**

**Bachelor of Science (B.Sc.) Semester-VI Examination**  
**Session 2023-24**  
**Electronics (Paper-I Topic: Programming in 'C' Unit No. 2 & 3)**  
**Unit Test-II**

**Time: One Hour]**

**[Maximum Marks: 20**

**Date:10-02-2024**

**Note:**

- (1) All questions are compulsory and carry equal marks.
- (2) Draw neat and labelled diagram wherever necessary.

**Attempt the following (20Marks)**

1. (A) Answer the following: [5+5]
  - (i) Give the difference between while and do while loops. Explain the working of "switch" statement.
  - (ii) Write a program to find whether the given number is positive or negative

**OR**

- (B) Answer the following: [5+5]
  - i) What are decision making and branching statements?  
Explain nested if ..... else statement with example.
  - ii) What is the use of continue statement in loops? Differentiate between while loop and do\_while loop.

2. Attempt any five. [10]
  - a) Give the general form of simple if statement.
  - b) Write generalized syntax of a function.
  - c) What is need of user defined functions?
  - d) What is the meaning of nesting of a loop?
  - e) Is it possible to initialize unions?
  - f) What is function of break statement?

\* \* \* \* \*

\*

*Shri Shivaji Education Society Amravati's*  
Science College, Congress Nagar, Nagpur

**Department of Electronics**

Class: B. Sc. (Semester-VI) Subject: Electronics (Paper-II)

Session: - 2023-24

**Unit Test - I**

Name of the Teacher: Mrs. P. A. Bire

Date: 18/12/2023

Batch: M3 (PEM)

<b>Sr. No.</b>	<b>Full Name of Student</b>	<b>Unit Test Marks (Out of 20)</b>
1	BALAPURE PARI GAJANAN	12
2	BANSOD NIKHIL MILIND	AA
3	BHIWGADE SHRINAY YOGESH	11
4	DHADSE VAISHNAVI VIJAY	10
5	DHAKATE SAKSHI PRAMOD	AA
6	JADHAV AASTHA SANJU	AA
7	JOSHI ARTI SUBHASH	AA
8	KHAPRE MUSKAN PRAKASH	07
9	LODHIKAR ANJALI NANESHWAR	AA
10	MESHRAM NISHANT DUSHYANT	06
11	MESHRAM ROSHNI SHRIHARI	AA
12	MISAR KHUSHI MANOJ	AA
13	MISHRA MAHEK PRAMOD	09
14	PATEL LOKESH SHRINIWAS	01
15	PATHAK MUSKAN VINAY	13
16	SATHWANE SHUBHAM RAJENDRA	AA
17	SHARMA SNEHA RANJAYKUMAR	10
18	SIRSAT VIKRANT DEVENDRA	09
19	SONPIMPALE YASH ARVIND	03
20	WAGH SARANG VILAS	AA
21	ZADE GAURI MUKESH	08

Batch: M10 (ECsM)

<b>Sr. No.</b>	<b>Full Name of Student</b>	<b>Unit Test Marks (Out of 20)</b>
1	AMBEKAR NIHARIKA MAHESH	14
2	BARAI YOGESHREE DINESH	AA
3	BARAMATE KHUSHI SHASHIKANT	AA
4	BARAPATRE ANIKET PURUSHOTTAM	10
5	DANGE PRATIKSHA BABAN	AA
6	DESHBHRATAR PARMITA SIDDHARTH	AA
7	DOKWAL SHREYA NARENDRA	18
8	GUMGAONKAR PRATHMESH DINESH	12

9	JADHAV AKSHATA SUNIL	14
10	JIBHAKATE VAIDEHI SUNIL	AA
11	KHIANI VISHAKA MANGHANLAL	18
12	KIRPAN AKANKSHA KUMESHWAR	AA
13	KOCHE PRIYANSH BABURAO	03
14	LANJEWAR SAKSHI MOTIRAM	AA
15	MAKODE HARSHU CHANDU	AA
16	PATIL RUDHALI RAMESH	AA
17	RANGARI HARSHAL BHOJRAJ	AA
18	RAO KIRAN SHANTA	15
19	SAMARTH SHRUTI SUNIL	12
20	SANGITRAO VIPUL DIPAK	AA
21	SONTAKKE NUPUL MAHENDRA	AA
22	TAKALKHEDE DISHA SUNIL	AA
23	TAMBUSKAR RUSHIKESH SATISHRAO	09
24	THAKRE KRUTIKA NIRAJ	AA
25	UPRADE SAUMYA FULSING	AA
26	WAKDE SANCHIT CHANDRASHEKHAR	13



**Dr. J. K. Keche**  
Signature of Coordinator  
**Coordinator**  
Department of Electronics  
SSEA's Science College,  
Congress Nagar, Nagpur-12

**Bachelor of Science (B.Sc.) Semester-VI Examination**  
**Session 2023-24**  
**Electronics (Paper-II)**  
**Unit Test -I**

**Time: One Hour]**

**[Maximum Marks: 20**

**Date:18-12-2023**

**Note:**

- (1) All questions are compulsory and carry equal marks.
- (2) Draw neat sketches wherever necessary.

**Attempt the following (20Marks)**

1. (A) What is Microcontroller? Differentiate between microprocessor and microcontroller. Explain the PSW register and the function of the each bits of it. 1+4+5

**OR**

(B) Explain the internal RAM organization of 8051 microcontroller. 10

\*\*\*

*Shri Shivaji Education Society Amravati's*  
Science College, Congress Nagar, Nagpur

**Department of Electronics**

Class: B. Sc. (Semester-VI) Subject: Electronics (Paper-II)

Session: - 2023-24

**Unit Test - II**

Name of the Teacher: Mrs. P. A. Bire

Date: 30/01/2024

Batch: M3 (PEM)

<b>Sr. No.</b>	<b>Full Name of Student</b>	<b>Unit Test Marks (Out of 20)</b>
1	BALAPURE PARI GAJANAN	10
2	BANSOD NIKHIL MILIND	04
3	BHIWGADE SHRINAY YOGESH	AA
4	DHADSE VAISHNAVI VIJAY	07
5	DHAKATE SAKSHI PRAMOD	08
6	JADHAV AASTHA SANJU	09
7	JOSHI ARTI SUBHASH	03
8	KHAPRE MUSKAN PRAKASH	09
9	LODHIKAR ANJALI NANESHWAR	AA
10	MESHRAM NISHANT DUSHYANT	03
11	MESHRAM ROSHNI SHRIHARI	11
12	MISAR KHUSHI MANOJ	AA
13	MISHRA MAHEK PRAMOD	13
14	PATEL LOKESH SHRINIWAS	01
15	PATHAK MUSKAN VINAY	09
16	SATHWANE SHUBHAM RAJENDRA	AA
17	SHARMA SNEHA RANJAYKUMAR	11
18	SIRSAT VIKRANT DEVENDRA	AA
19	SONPIMPALE YASH ARVIND	AA
20	WAGH SARANG VILAS	12
21	ZADE GAURI MUKESH	13

Batch: M10 (ECsM)

<b>Sr. No.</b>	<b>Full Name of Student</b>	<b>Unit Test Marks (Out of 20)</b>
1	AMBEKAR NIHARIKA MAHESH	12
2	BARAI YOGESHREE DINESH	AA
3	BARAMATE KHUSHI SHASHIKANT	10
4	BARAPATRE ANIKET PURUSHOTTAM	13
5	DANGE PRATIKSHA BABAN	04
6	DESHBHRATAR PARMITA SIDDHARTH	AA
7	DOKWAL SHREYA NARENDRA	19
8	GUMGAONKAR PRATHMESH DINESH	10
9	JADHAV AKSHATA SUNIL	13
10	JIBHAKATE VAIDEHI SUNIL	



11	KHIANI VISHAKA MANGHANLAL	19
12	KIRPAN AKANKSHA KUMESHWAR	10
13	KOCHE PRIYANSH BABURAO	09
14	LANJEWAR SAKSHI MOTIRAM	AA
15	MAKODE HARSHU CHANDU	11
16	PATIL RUDHALI RAMESH	AA
17	RANGARI HARSHAL BHOJRAJ	10
18	RAO KIRAN SHANTA	11
19	SAMARTH SHRUTI SUNIL	13
20	SANGITRAO VIPUL DIPAK	13
21	SONTAKKE NUPUL MAHENDRA	AA
22	TAKALKHEDE DISHA SUNIL	09
23	TAMBUSKAR RUSHIKESH SATISHRAO	07
24	THAKRE KRUTIKA NIRAJ	AA
25	UPRADE SAUMYA FULSING	12
26	WAKDE SANCHIT CHANDRASHEKHAR	18



**Dr. J. K. Keche**  
Signature of Coordinator  
**Coordinator**

**Department of Electronics**  
**SSEA's Science College,**  
**Congress Nagar, Nagpur-12**

**Bachelor of Science (B.Sc.) Semester-VI Examination**  
**Session 2023-24**  
**Electronics (Paper-II)**  
**Unit Test -II**

**Time: One Hour]**

**[Maximum Marks: 20**

**Date:30-01-2024**

**Note:**

- (1) All questions are compulsory and carry equal marks.
- (2) Draw neat sketches wherever necessary.

**Attempt the following (20 Marks)**

1. (A) State the function of following instructions and classify according to instruction set :

- (i) MOV@DPTR, A
- (ii) RRCA
- (iii) SWAP A
- (iv) MULAB
- (v) MOV R0, # 06 H 10

**OR**

1. (B) Explain various addressing modes of 8051 microcontroller with suitable examples. 10

\*\*\*